

1
.1.1

Proximity Sensors, Inductive Sensors, cylindrical



Technical Data

For detailed data and product description refer to the data sheets at www.pepperl-fuchs.com

General Data

Rated operating distance	40 mm
Installation	non-flush
Type of voltage	DC
Operating voltage	10 ... 30 V
No-load supply current	≤ 10 mA
Reverse polarity protection	✓
Switching frequency	0 ... 100 Hz
Operating current	0 ... 200 mA
Short-circuit protection	pulsing
Indication of the switching state	LED, yellow
Ambient temperature	-25 ... 70 °C (-13 ... 158 °F)
Housing material	chromium plated brass
Protection degree	IP67

Properties

- Ø30 mm housing
- 40 mm, non-flush mountable
- DC, 3-wire switching output
- Cable and connector versions

Model Number

		green = preferred type				
Switching element function	NPN	NO	●		●	
	PNP, NO			●		
	PNP	NO				●
	PNP	NC				●
Connection type	Device connector M12 x 1 , 4-pin		●	●	●	●
	cable PVC , 2 m		●	●		

Approvals and Certificates

UL approval	cULus Listed, General Purpose	●
CSA approval	cCSAus Listed, General Purpose	●
CCC approval	Products with a maximum operating voltage of ≤36 V do not bear a CCC marking because they do not require approval.	

Dimensions

Length L [mm]	60		73.5		
Diameter D [mm]			30		
Thread length l _t [mm]	50	50	42	51.5	42
Cap length l ₁ [mm]			10		
Connector area l _c [mm]	0	0	13.5	12.5	13.5
LED position	C	C	C	A	C

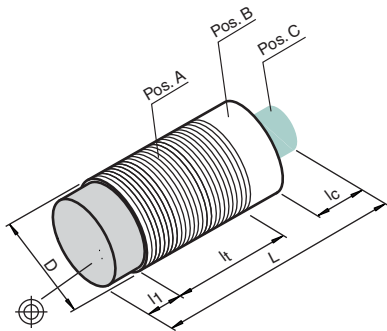
Accessories

This and more accessories can be found in chapter 10

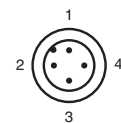
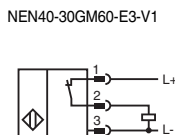
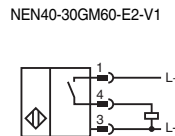
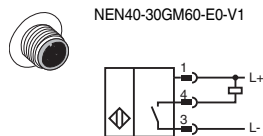
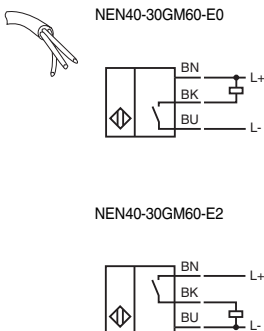
See pages from 972 ... for cordsets

See pages 1068 ... for mounting aids

- BF 30** Mounting flange, 30 mm
- V1-G-BK** 4-pin, M12 female field-attachable connector
- V1-W-BK** 4-pin, M12 female field-attachable connector
- V1-G-2M-PUR** Cable socket, M12, 4-pin, PUR cable
- V1-W-2M-PUR** Cable socket, M12, 4-pin, PUR cable



Electrical Connection



Wire colors in accordance with EN 60947-5-2

- 1 BN (brown)
- 2 WH (white)
- 3 BU (blue)
- 4 BK (black)